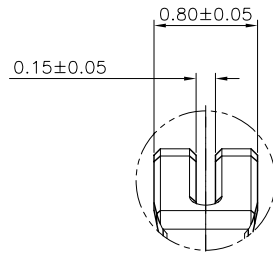
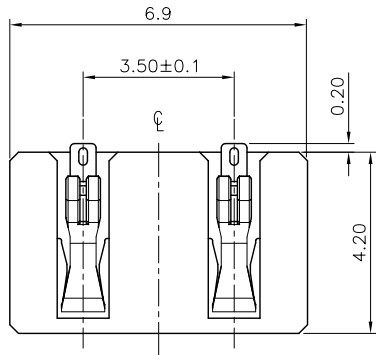
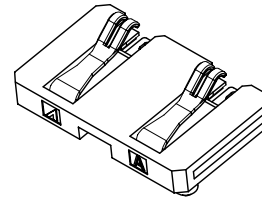




A B C D E F



DETAIL A
SCALE 18:1



NOTES: MATERIAL & FINISH

- HOUSING: THERMOPLASTIC, HIGH TEMP., UL94V-0; COLOR: BLACK
- TERMINAL: COPPER ALLOY T=0.12mm
PLATING: GOLD FLASH PLATING OVERALL,
5u" MIN. GOLD PLATING ON CONTACT AREA,
50u" MIN. NICKEL UNDERPLATING OVERALL.
- REFLOW SOLDER CAPABLE TO 260°C
PER ACES SPEC.
- SPEC. PLS. REFER TO PS-50984-xxxx
PACKING SPEC. PLS. REFER TO 50984-XXXX-TRP

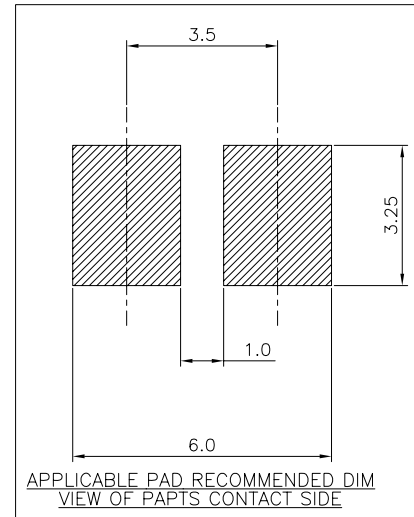
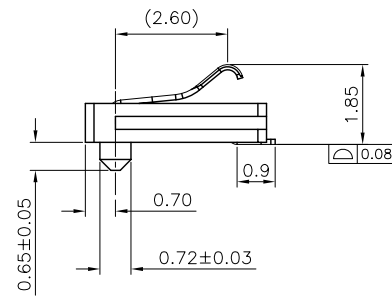
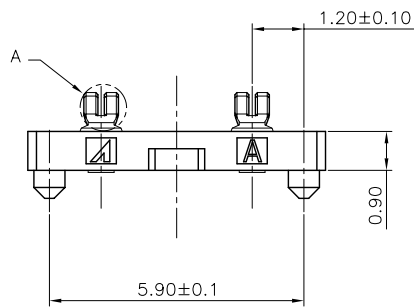
5. PART NUMBER

50984-002 X X - XXX

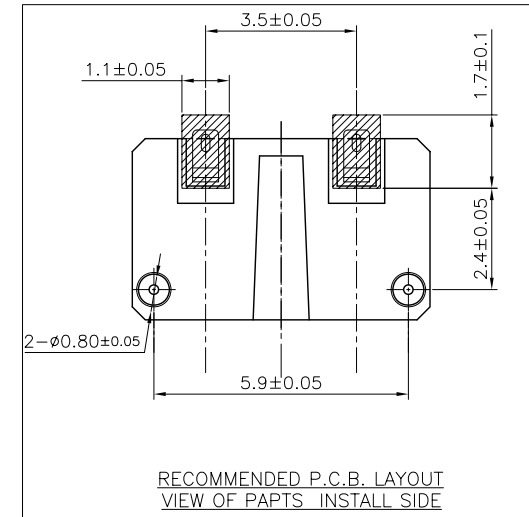
PACKING
0: TAPE & REEL

CODE	LOGO
001	ACES

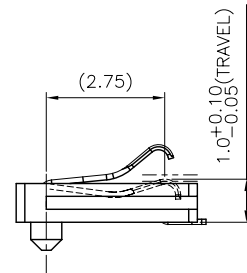
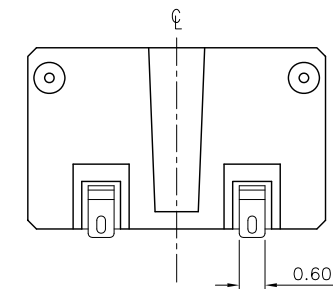
PLATING
B: 5u" GOLD ON CONTACT



APPLICABLE PAD RECOMMENDED DIM
VIEW OF PARTS CONTACT SIDE



RECOMMENDED P.C.B. LAYOUT
VIEW OF PARTS INSTALL SIDE



一般公差
TOLERANCES

X	±0.5	.XX	±0.15
X	±0.25	.XXX	±0.1
ANGLES		±2°	

宏致電子股份有限公司
Aces Electronic Co., Ltd.

檢驗尺寸標示
SYMBOLS (M) INDICATE
CLASSIFICATION DIMENSION

品名 (TITLE)
3.5mm Pitch SPEAKER CONN.
SMT TYPE

製圖 (DR) JAMESLEN
09/06/25
審核 (CHKD) RYAN

(M) MARK IS CRITICAL DIM.
(M) MARK IS MAJOR DIM.

圖號 (DWG. NO)
50984-002XX-XXX

核准 (APPD) JASON

表面處理 (FINISH)

比例 (SCALE) 單位 (UNITS)
41 mm

張數 (SHEET) 1 OF 1
SIZE A4
REV 0

REV	DESCRIPTION	DATE	SIGNATURE
0	RELEASED REV-0 (ECN:0910004)	09/10/05	Jameslen

A B C D E F